



HYDRAULIC ROCK BREAKER

# SD8



**NEW** KEY ASSET  
FOR ALL JOBSITES

DESIGNED FOR  
1 TO 1.2 TON CARRIERS

POWERFUL,  
SAFE AND COMPACT

LANDSCAPING, DEMOLITION,  
TRENCHING, CIVIL ENGINEERING,  
INSIDE AND OUTSIDE:  
VERSATILE AND EFFICIENT

## BENEFITS

- **Hydraulic accumulator:** no more regular nitrogen controls and recharges on jobsites.
- **Tie rod free:** less weight and cost, more power and reliability.
- **Made in France:** superior quality steel and manufacturing excellence.
- **Improved soundproofing :** lower noise levels for urban jobsites.
- **Easy handling:** two lifting points to handle the breaker with perfect balance and safety, also acting as hoses protection.
- **Tool changing:** new user friendly, simple, safe and reliable system, with one single retainer.



**NEW KEY ASSET  
FOR ALL JOBSITES**

**WEIGHT & DIMENSIONS**

**WEIGHT (KG / LB)**

BREAKER	71	156
+ MOUNTED TOOL	77	168
+ MOUNTED ADAPTER PLATE (MIN - MAX)	92 - 112	203 - 247

**DIMENSIONS (MM / IN)**

A	898	35
B	230	9
C	334	13
D	618	24
E	159	6.25
F	183	7.2
G	25	0.98

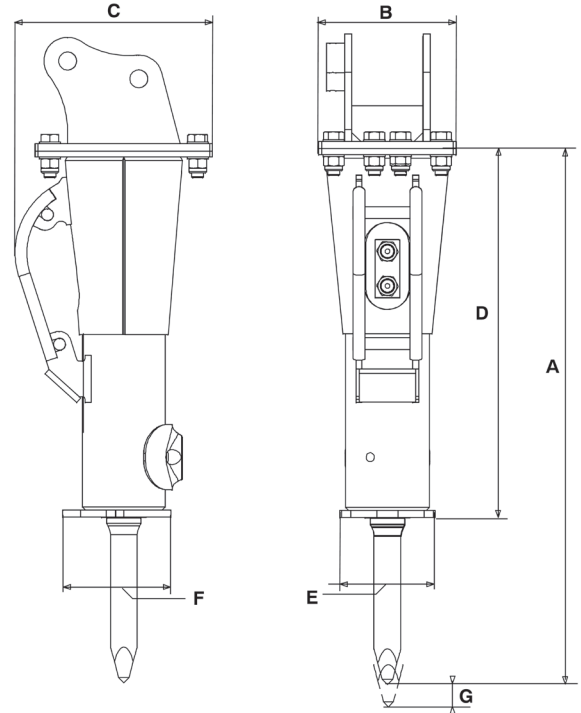
**OPERATING INFORMATION**

CARRIER WEIGHT RANGE (MIN-MAX, T)	1 - 1.7
OIL FLOW (MIN-MAX, L/MIN / GPM)	15 - 30 4 - 8
MAXIMUM OPERATING PRESSURE (BAR / PSI)	120 1,740
MAXIMUM BACK PRESSURE (BAR / PSI)	35 507
INPUT POWER (KW)	6
STRIKING FREQUENCY (MIN-MAX, BPM)	800 - 1,600
GUARANTEED NOISE LEVEL (DB LWA)	121
SOUNDPROOFING	standard
HOSE PROTECTION	standard

**MAINTENANCE KITS**

**CPN**

LEVEL 1	86638947
LEVEL 2	101112771
LEVEL 3 (+2 WARRANTY YEARS*)	101112772



**CONSUMABLES**

**CPN**

GREASE CARTRIDGES (X48)	86799152
-------------------------	----------

**OPTIONS**

**CPN**

ADAPTER PLATE	upon request
SPECIAL PAINTING	upon request

**TOOLS**

DIAMETER (MM / IN)	45 / 1.77	45 / 1.77	45 / 1.77
LENGTH (MM / IN)	455 / 17.9	455 / 17.9	455 / 17.9
WEIGHT (KG / LB)	5.1 / 11	5.2 / 11.46	5.4 / 12
CPN	86631918	86631900	86638566



The content of this brochure constitutes non-binding information and may be changed at any time without notice. Montabert gives, and the brochure contains, no warranties whatsoever, express or implied. All the contents, including but not limited to text, images, graphics are all subject to copyright and all intellectual property protection. Their use or misuse is strictly prohibited. Montabert brand and logo used herein are the property of Montabert. Nothing contained on this document shall be construed as constituting any commitment by Montabert or as granting any license or right to use any intellectual property. ©2021 Montabert. All rights reserved.

